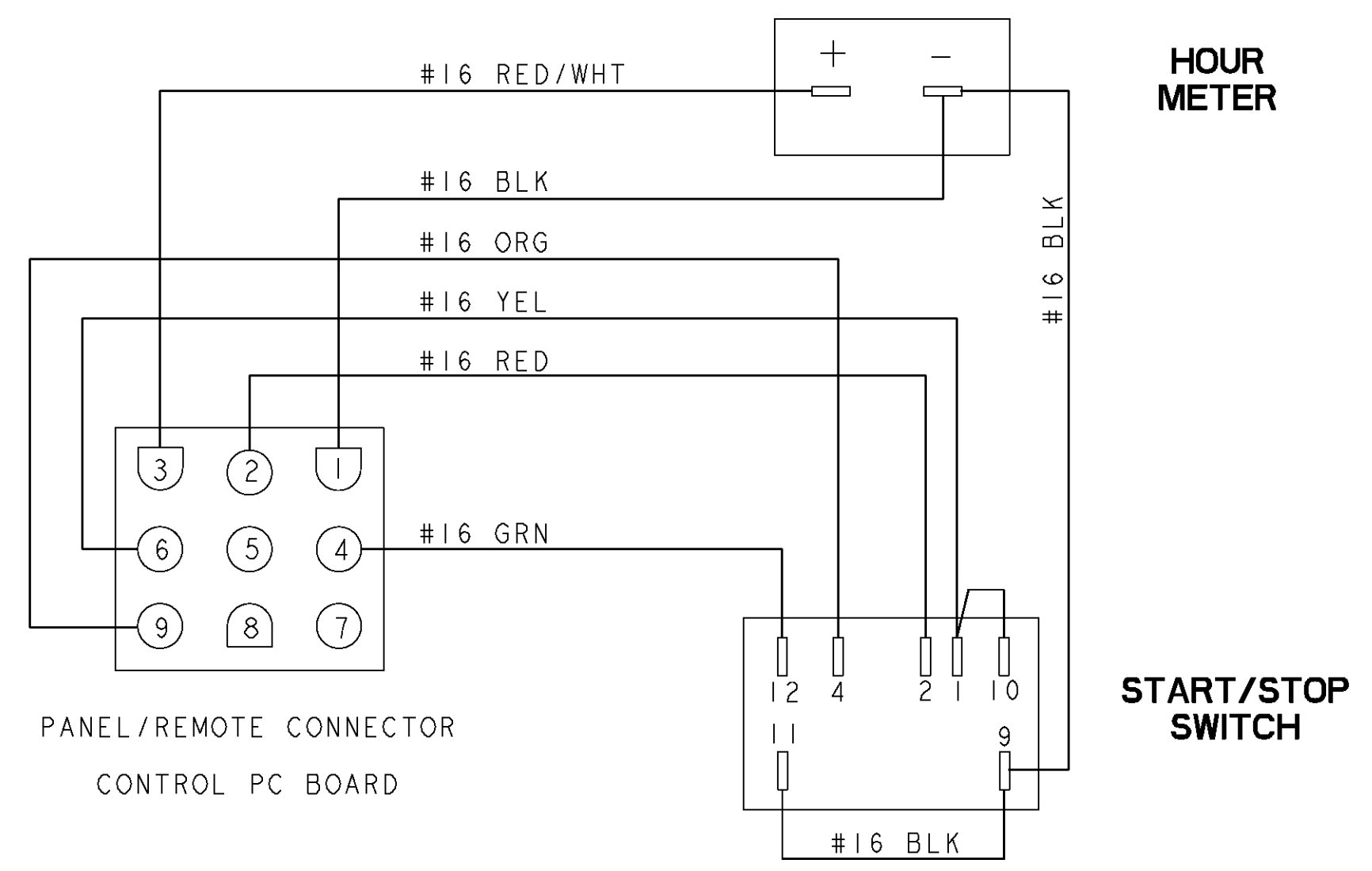
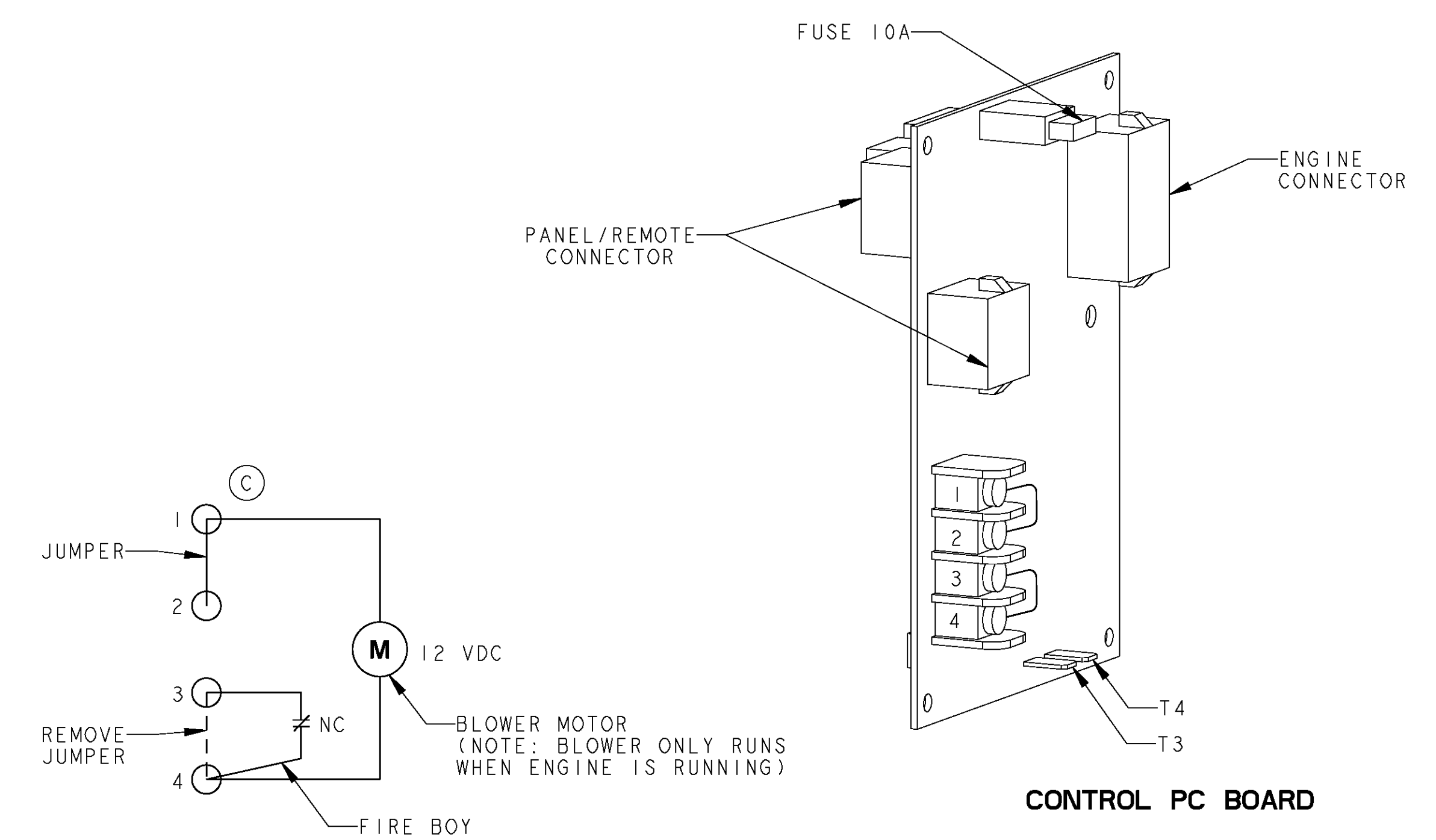
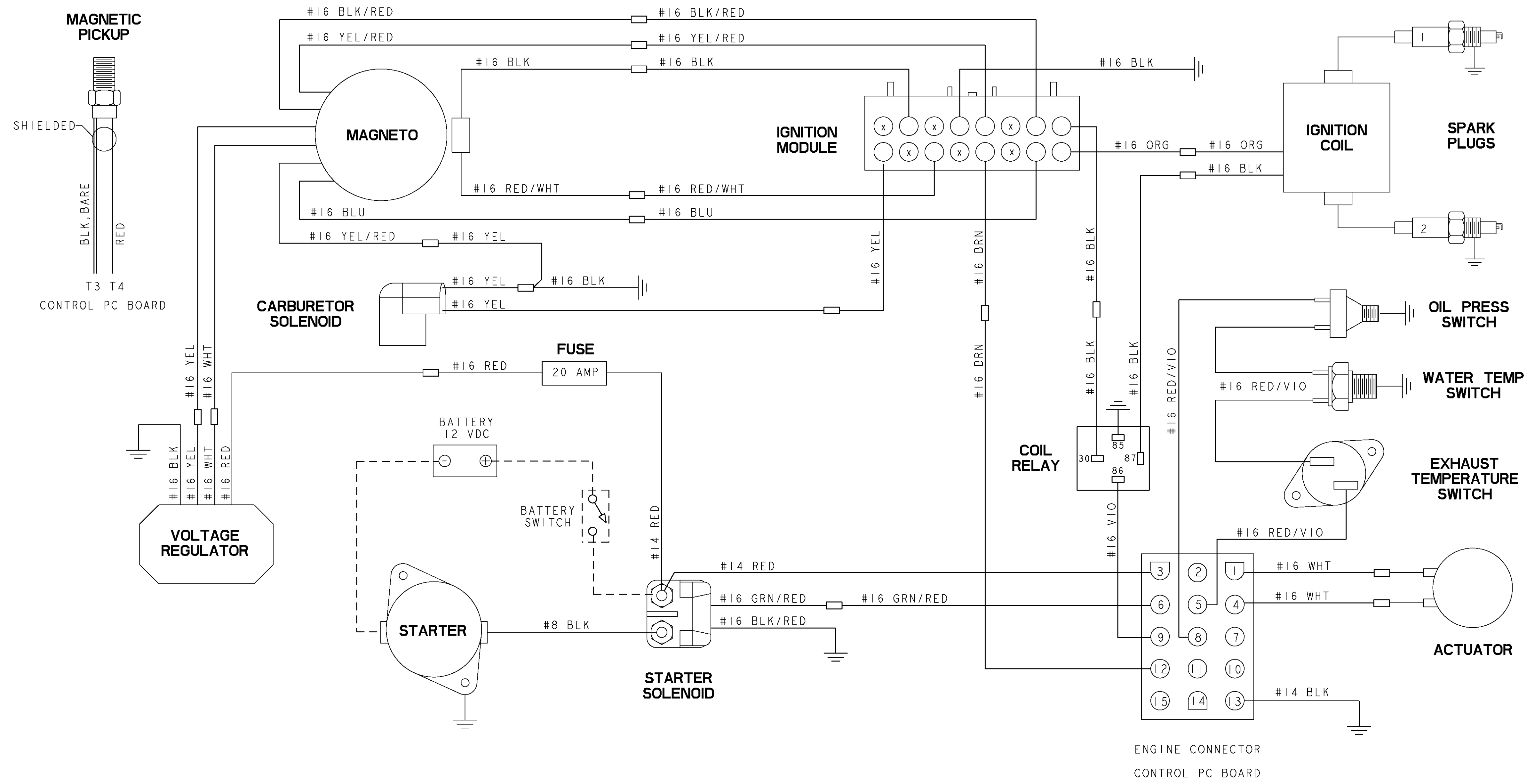


ECO NO.	DATE	REV.	REVISION RECORD	AUTH.	DR. BY
5467	2/11/2003	A	ADDED COIL RELAY		JCA
5545	4/23/2003	B	ADDED WATER TEMP SWITCH		JCA
6117	10/25/2005	C	ADDED FIRE BOY CONNECTION DIAGRAM.		GA



TOLERANCES (UNLESS OTHERWISE NOTED)		WESTERBEKE CORPORATION TAUNTON, MA. 02780	
INCHES	MILLIMETERS	TITLE	
.XX : .02	.X : ± 1.0	WIRING DIAGRAM 3.0 BPMG	
.XXX : .005	.X : ± .5		
CAST : .03	.XX : ± .13		
ANGLES : 5°			
FINISH : 32			
DIMENSIONS		DRAWN BY	DATE
INCHES MILLIMETERS		Jeremy Anderson	12/Sep/02
SCALE NONE		APPROVED BY	DATE
SHT. 1 OF 1			
		SIZE	DRAWING NUMBER
		D	46987
		REV.	C